



Reduce time to market – speed up your mmWave product design using the Evaluation Kits



EVK02004 is designed to help you validate the RF part of your licensed 5G mmWave system. It is easy to 'Plug and Play' with a minimum of configuration activities and are easily controlled through standardized interfaces. Configuration support and user guidelines are included.

By combining the market leading performance of the TRB02801 RFIC with innovative antenna design, you get the flexibility and performance required for 5G FR2 mmWave products. Transmitted power close to +47 dBm and 2D beam steering possibilities in one module enable FWA product deployments in the most diverse applications with the lowest total cost of ownership.



FWA



5G MMWAVE



BACKHAUL



V2X

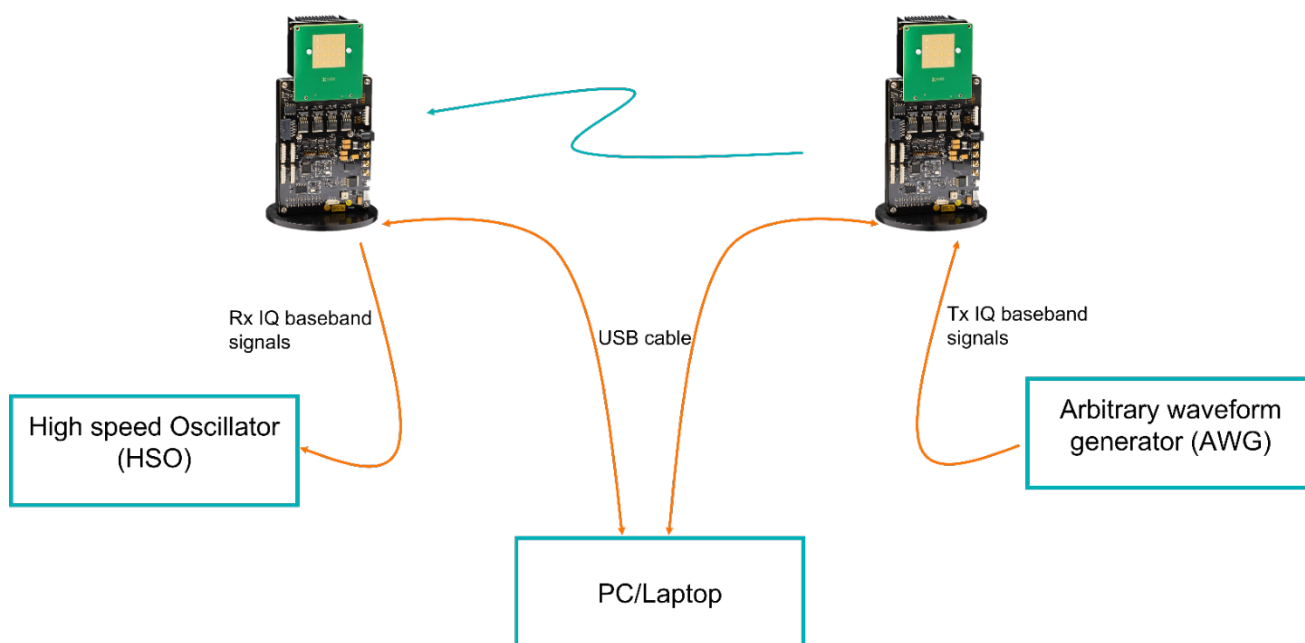
Key features

- Beam steering with Integrated patch array antenna
- Quick validation and proof of concept
- Plug and Play with a minimum of configuration activities
- Easy control of the EVK using the USB interface
- User guideline included
- Configuration support included
- Frequency Range:
 - 24.0-29.5 GHz
- Supports dual polarised baseband inputs which can be:
 - Zero IF signals
 - Low IF signals between 3.5-5 GHz
- Including RF Module, Mother Board and Graphical User Interface (GUI)
- Integrated synthesizer with support for 64 or 256 QAM
- Tx/Rx LO frequency control
- Integrated Beam book for beam steering settings

The RF Module EVKs are “plug and play” platforms, including patch antennas to evaluate the Sivers Semiconductors beam steering RFICs - TRB02801, TRXBF02, TRB03901 for licensed 5G and TRXBF01 for unlicensed 5G (IEEE 802.11ad).

They are designed for seamless operation together with any Zero-IF or low IF based baseband solution. Some adaptations may be necessary depending on the functionality and characteristics of the baseband solution.

Everything is included for straight forward operation and will enable the user to quickly validate beam steering capabilities together with other system defining RF parameters - critical features when developing a new product with tough requirements on time to market.



Graphical User Interface (GUI) and software for easy configuration and display of results are included in the EVK package.

For more information please contact: sales@sivers-wireless.com