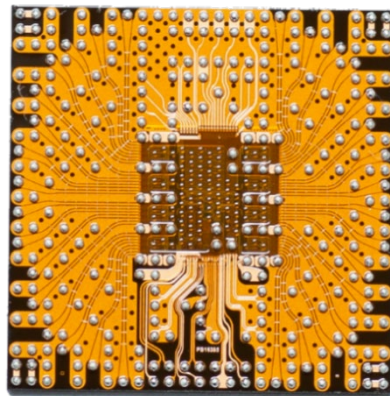
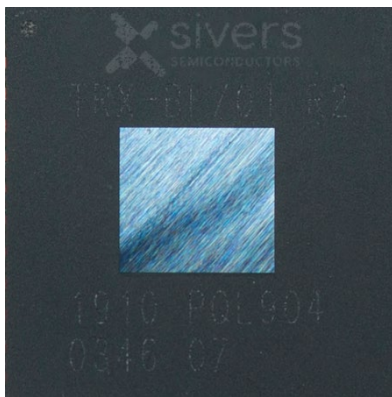




Unrivalled ready-to-use WiGig RFIC for 57–71 GHz



The license free 60 GHz band enables new opportunities to operators where high data rates and range are of essence. The Sivers Semiconductors TRXBF01 supports the full frequency range from 57 to 71 GHz with speeds up to 7 Gbit/s and beyond, long-range. The perfect choice for unlicensed 5G.

The award winning TRXBF01, is a WiGig/802.11ad compliant 16+16 channel beam forming transceiver Radio Frequency Integrated Circuit (RFIC) with integrated synthesizer. It supports any mmWave modem with zero-IF interface. Today the transceiver is fully integrated with the RapidWave™ RWM6050/51 mmWave modem from Renesas. Both create ready-to-use 802.11ad (WiGig) communication modules.



FWA



5G MMWAVE



BACKHAUL



V2X



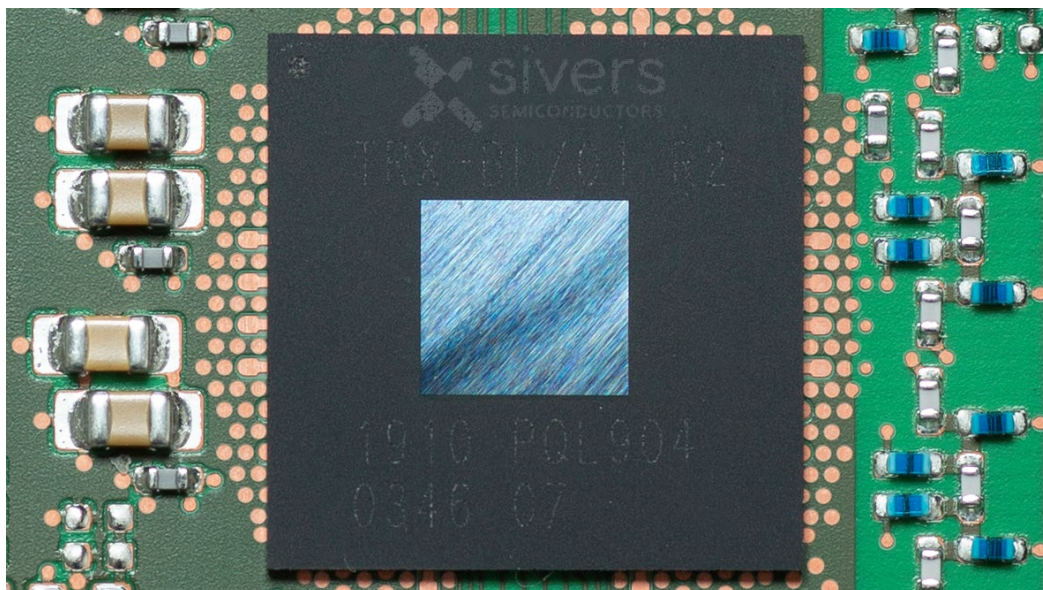
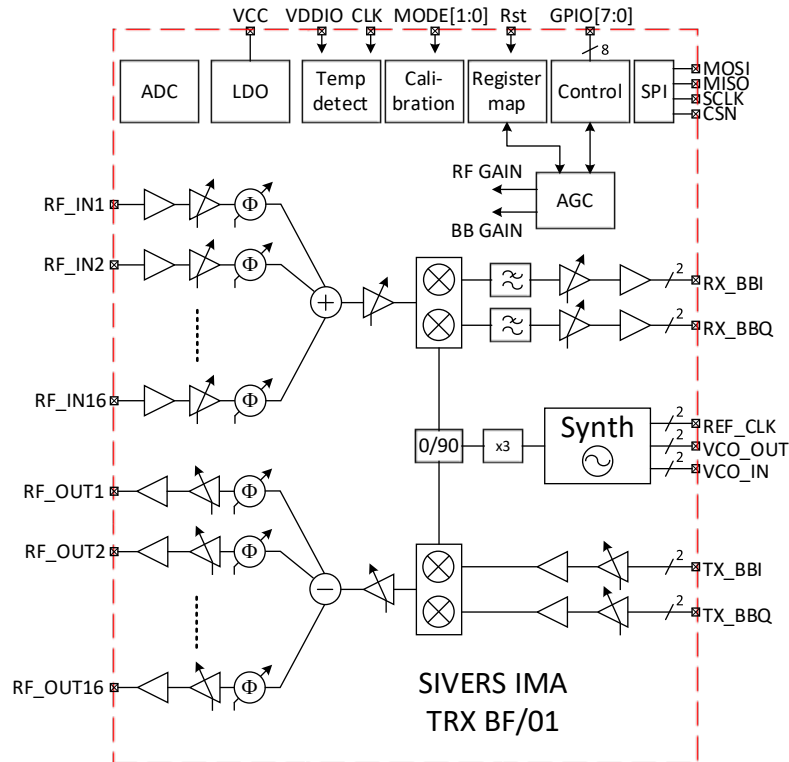
TRACK TO TRAIN

Key features

- 57-71 GHz
- Optimized for 802.11ad/WiGig
- Supports FDD utilizing two transceivers
- Supported throughput 7 Gbit/s
- Enables 64 QAM and beyond (with internal LO)
- Superior phase noise
- 16+16 Tx/Rx Array
- Direct conversion I/Q transceiver
- Integrated beam book for instant beam steering/ forming
- Zero-IF with 1.2 GHz bandwidth
- +25 dBm combined linear output power
- 7 dB NF (Noise Figure)
- eWLB (embedded Wafer Level Ball Grid Array) package device
- Seamless modem integration through integrated analog baseband
- Future-proof pre-802.11ay support

The TRXBF01 can transmit higher data rates at longer distances with greater robustness to interferers. These features enable an extra dimension of flexibility to the final product including TRXBF01.

The transceiver supports the full temperature range of -40 to +85 deg C, a unique wide band coverage of 57-71 GHz, superior link budget, flexible channelization and excellent Error Vector Magnitude (EVM) performance which enable 64 QAM modulation or more. All of which makes the TRXBF01 uniquely well fitted for outdoor infrastructure applications.



For more information please contact: sales@sivers-wireless.com